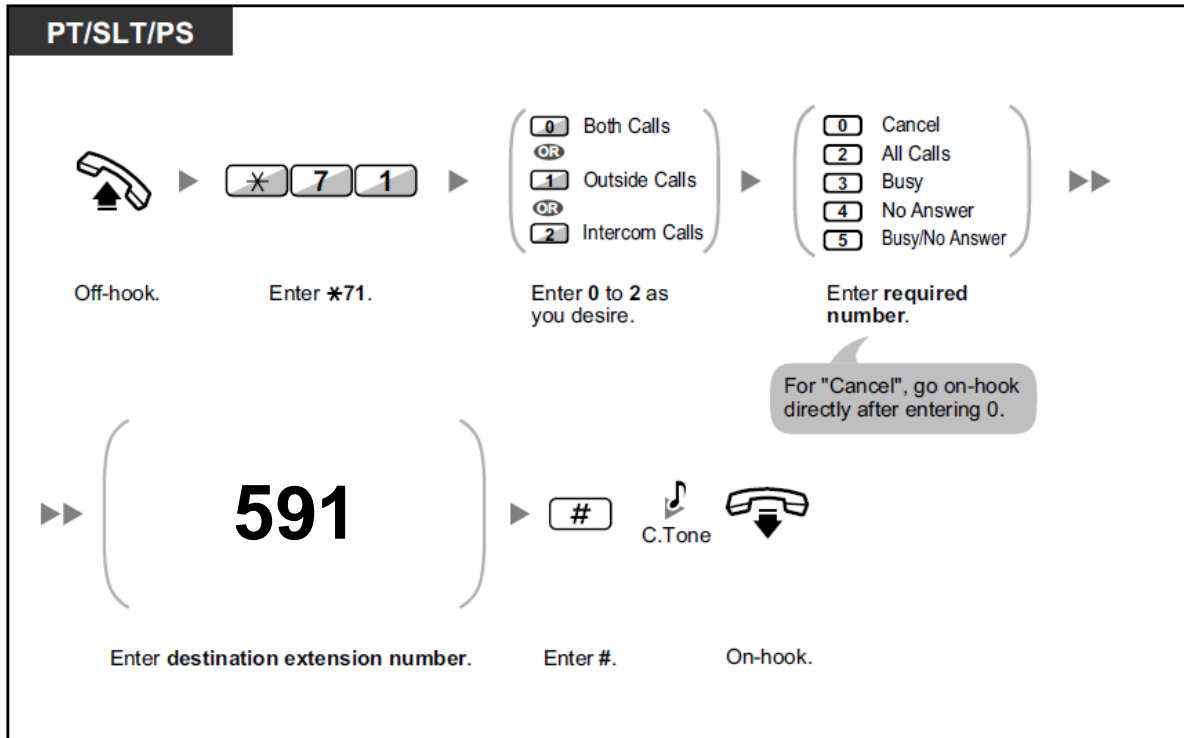


Forwarding calls to Voice Mail

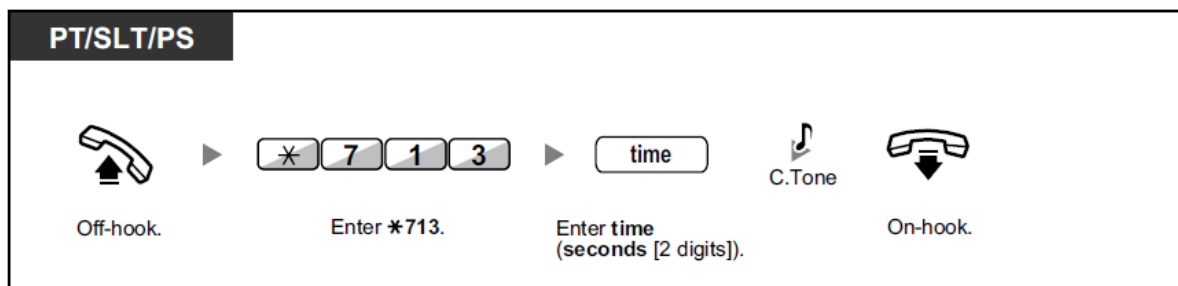
To set/cancel



To activate Busy/No Answer to Voicemail press the Speaker key then dial

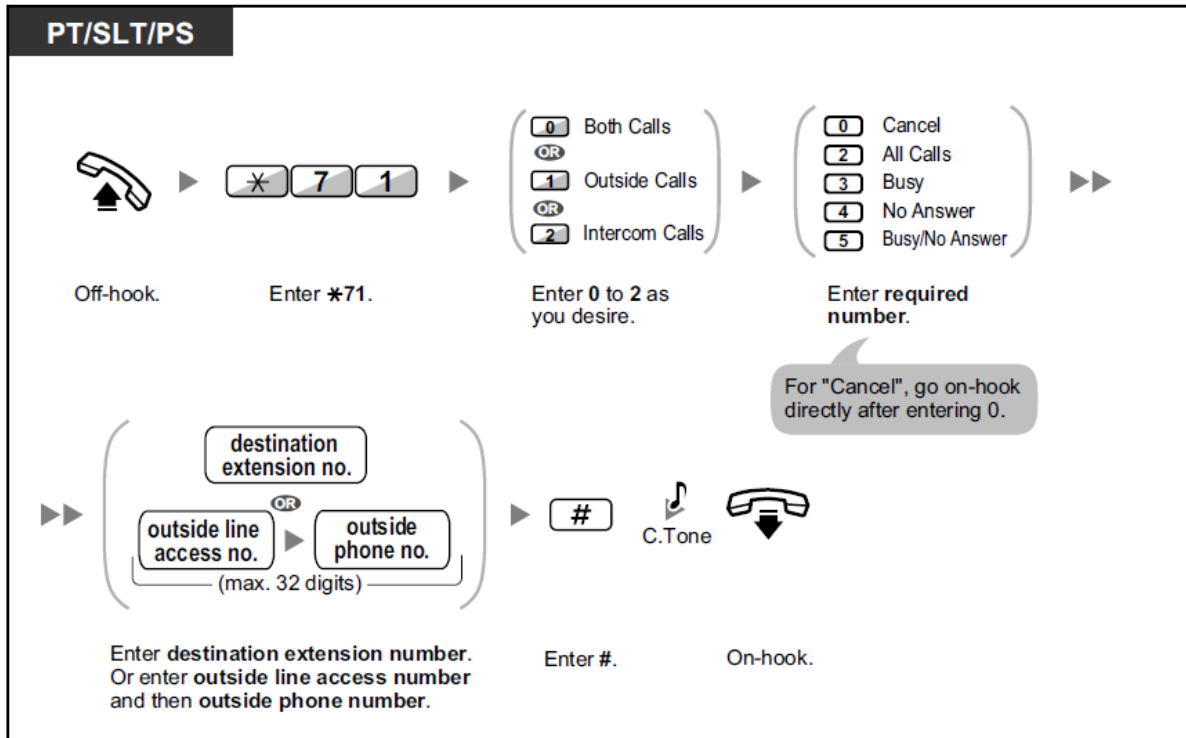
***71 0 5 591 #**

To set the timer for "No Answer" and "Busy/No Answer"



Forwarding your Extension

To set/cancel



To forward All Calls to your mobile press the Speaker key then dial

***71 0 2 0** (your mobile no.) #

Note: Incoming calls ringing a group of phones will not follow these call fwd codes.

See attachment: Changing the phone number when forwarding Workshop calls